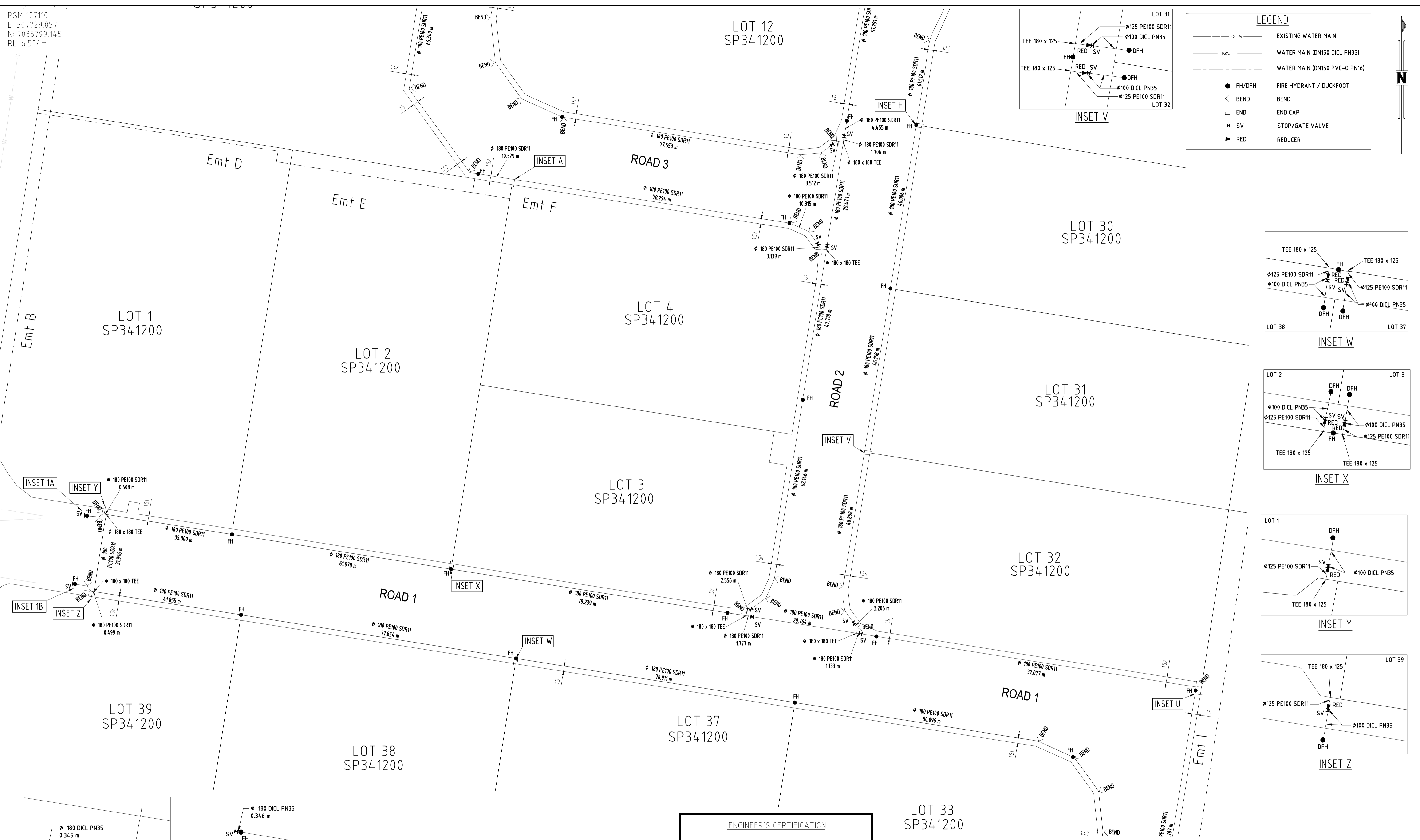
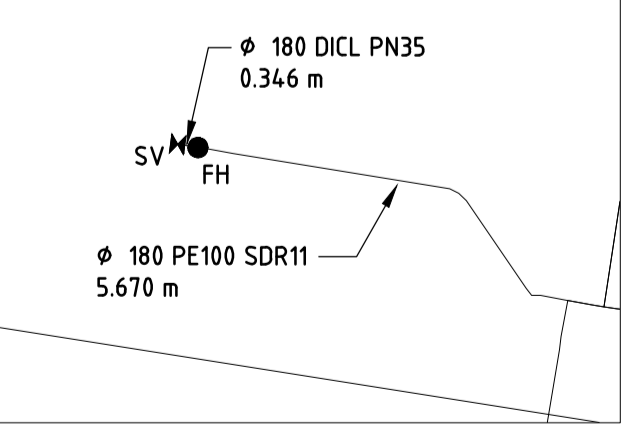
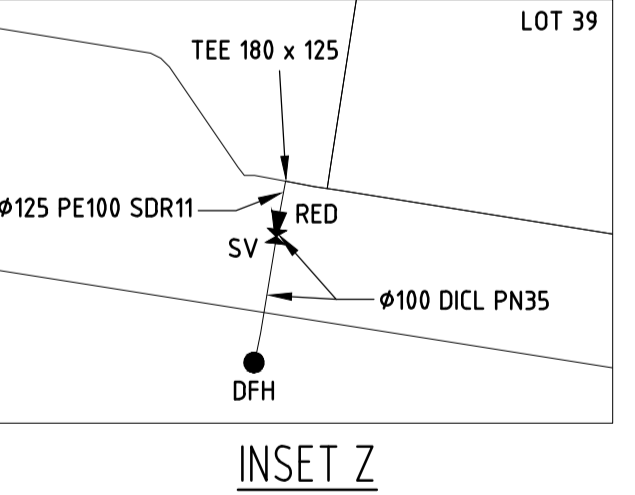
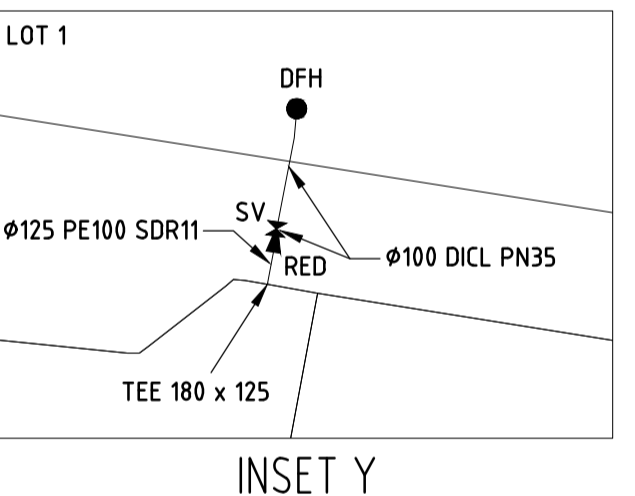
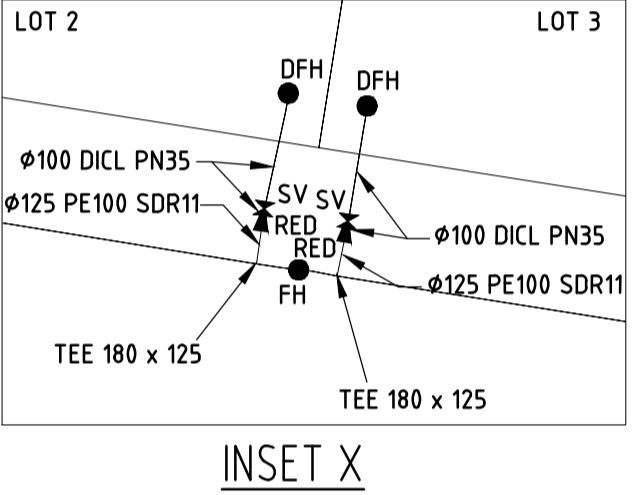
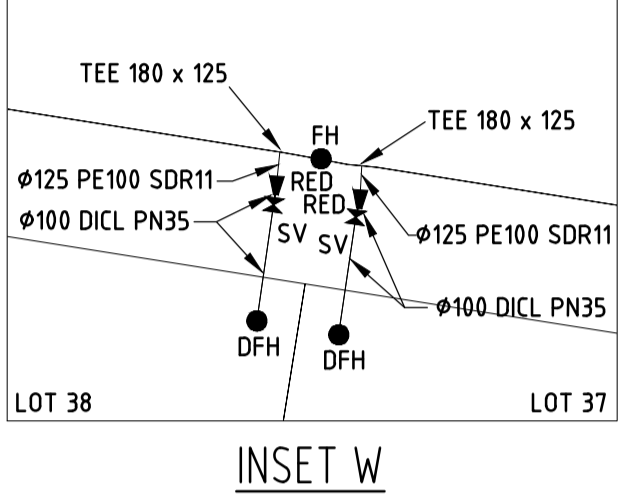
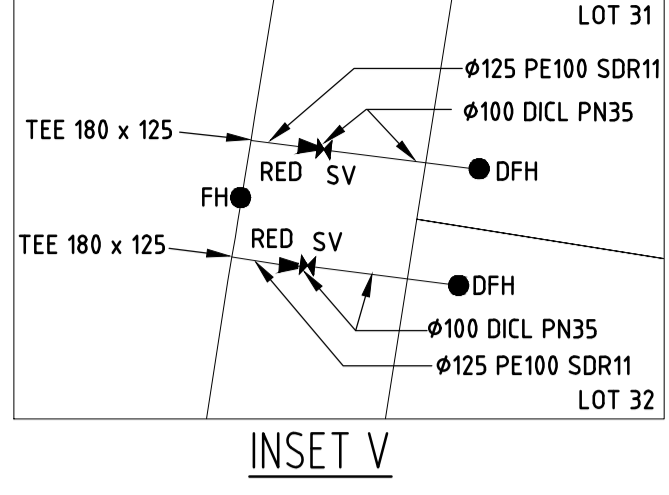


PSM 107110  
E: 507729.057  
N: 7035799.145  
RL: 6.584m



**LEGEND**

- EX\_W --- EXISTING WATER MAIN
- 150W WATER MAIN (DN150 DICL PN35)
- WATER MAIN (DN150 PVC-O PN16)
- FH/DFH FIRE HYDRANT / DUCKFOOT
- < BEND BEND
- └ END END CAP
- ⊥ SV STOP/GATE VALVE
- ▶ RED REDUCER



**ENGINEER'S CERTIFICATION**

I, \_\_\_\_\_ hereby certify that:

- The information contained in this drawing / document is in compliance with approved drawings and design.
- The new water and sewerage works defined by this drawing have been designed and constructed in accordance with the SEQ Code.
- This represents an accurate record of as-constructed works.
- I accept responsibility for the information contained in this drawing / document.

RPEQ (signature) RPEQ No. \_\_\_\_\_ Date: \_\_\_\_\_

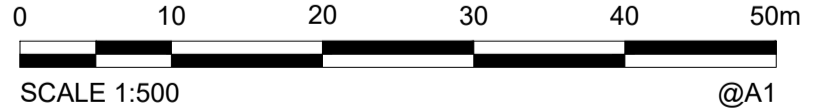
**REGISTERED SURVEYING ASSOCIATE CERTIFICATION**

I, Gordon Nicholason, hereby certify that the vertical and horizontal locations and dimensions shown on this plan are a true and correct record and were located by survey.

Registered Surveying Associate (sig.) Surveyor No. SA 3405 Date: 09/10/2023

**AS CONSTRUCTED**

**COORDINATE DATUM NOTE:**  
HORIZONTAL COORDINATES (E,N) SUPPLIED ARE MAPPING GRID OF AUSTRALIA (MGA), ZONE 56 BASED ON THE UNIVERSAL TRANSVERSE MERCATOR PROJECTION AND THE GEOCENTRIC DATUM OF AUSTRALIA 2020.



<b>A1</b>	INDEX	DATE	AS CONSTRUCTED	REVISIONS	DRAWN	CHECKED	PASSED	INITIALS	DATE
	A	09/10/2023	AS CONSTRUCTED		PMC	DAM	JF		

**shadforth**  
99 Sandalwood Lane, Forest Glen QLD 4556  
P: 07 5438 3300 F: 07 5438 3388 E: admin@shadcivil.com.au



**Unitywater**  
UNITYWATER APPROVAL No. 202001622650-AMD02  
SUNSHINE COAST INDUSTRIAL PARK STAGE 2  
AS CONSTRUCTED - WATERMAIN  
SHEET 5 OF 5

SHEET 5 OF 5 SHEETS	SCALE 1:500
REVISION DATE 19/10/2023	REVISION A
DISCIPLINE CODE C	
DRAWING NO. U-2022-4384-WAT-05	